

### 4 FLUTE, REGULAR LENGTH

- High precision and excellent surface due to each 4F broken index geometry
- The unique patented design decrease chatter and resonance, can achieve an Axial Depth 1XD
- Reinforced bending moment because of double core geometry

## XCE504 ...series



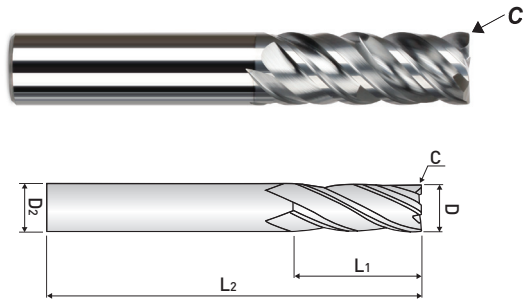
EDP. No.	D	L <sub>1</sub>	L <sub>2</sub>	D <sub>2</sub>	STOCK
XCE504060	6	15	50	6	•
XCE504080	8	20	60	8	•
XCE504100	10	25	70	10	•
XCE504120	12	30	75	12	•
XCE504160	16	40	90	16	•
XCE504200	20	45	100	20	•
XCE504250	25	50	120	25	•

※ Flat shank is available upon request  
ex) XCE504100F : Flat shank

■ Tolerance

Mill Dia. (mm)	Shank Dia.
0 ~ -0,02	h6

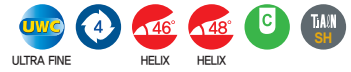
※Items can be changed for quality improvement without notice.



### 4 FLUTE, REGULAR LENGTH

- High precision and excellent surface due to each 4F broken index geometry
  - The unique patented design decrease chatter and resonance, can achieve an Axial Depth 1XD
  - Reinforced bending moment because of double core geometry
- \* corner chamfer type

## XCC504 ...series



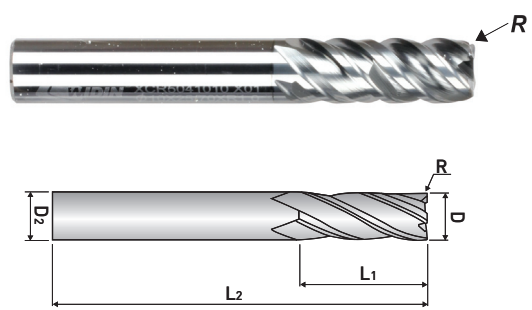
EDP. No.	D	C	L <sub>1</sub>	L <sub>2</sub>	D <sub>2</sub>	STOCK
XCC504060	6	0.075	15	50	6	•
XCC504080	8	0.1	20	60	8	•
XCC504100	10	0.125	25	70	10	•
XCC504120	12	0.15	30	75	12	•
XCC504160	16	0.2	40	90	16	•
XCC504200	20	0.3	45	100	20	•
XCC504250	25	0.3	50	120	25	•

※ Flat shank is available upon request  
ex) XCC504100F : Flat shank

■ Tolerance

Mill Dia. (mm)	Shank Dia.
0 ~ -0.02	h6

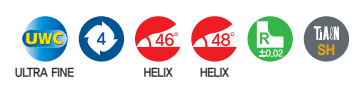
※ Items can be changed for quality improvement without notice.



### 4 FLUTE, REGULAR LENGTH

- High precision and excellent surface due to each 4F broken index geometry
- The unique patented design decrease chatter and resonance, can achieve an Axial Depth 1XD
- Reinforced bending moment because of double core geometry

## XCR504 ...series



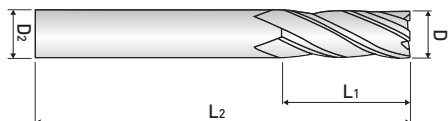
EDP. No.	D	R	L <sub>1</sub>	L <sub>2</sub>	D <sub>2</sub>	STOCK
XCR5040602	6	0.2	15	50	6	•
XCR5040605		0.5				•
XCR5040610		1				•
XCR5040805	8	0.5	20	60	8	•
XCR5040810		1				•
XCR5041005	10	0.5	25	70	10	•
XCR5041010		1				•
XCR5041205	12	0.5	30	75	12	•
XCR5041210		1				•
XCR5041605	16	0.5	40	90	16	•
XCR5041610		1				•
XCR5042005	20	0.5	45	100	20	•
XCR5042010		1				•
XCR5042505	25	0.5	50	120	25	•
XCR5042510		1				•

※ Flat shank is available upon request  
ex) XCR5041010F : Flat shank

■ Tolerance

Mill Dia. (mm)	Shank Dia.
0 ~ -0,02	h6

※Items can be changed for quality improvement without notice.



### 3 FLUTE, REGULAR LENGTH

- High precision and excellent surface due to each 4F broken index geometry
- The unique patented design decrease chatter and resonance, can achieve an Axial Depth 1XD
- Reinforced bending moment because of double core geometry

## XCE503 ...series



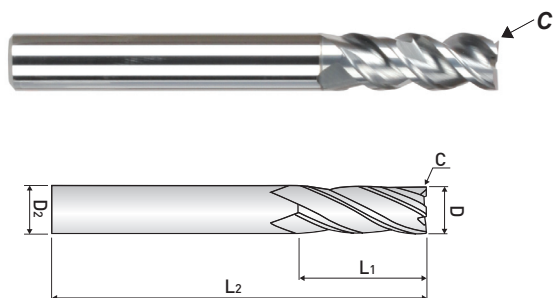
EDP. No.	D	L <sub>1</sub>	L <sub>2</sub>	D <sub>2</sub>	STOCK
XCE503020	2	6	50	6	•
XCE503025	2.5	8	50	6	•
XCE503030	3	10	50	6	•
XCE503035	3.5	10	50	6	•
XCE503040	4	12	50	6	•
XCE503045	4.5	14	50	6	•
XCE503050	5	15	50	6	•
XCE503055	5.5	15	50	6	•
XCE503060	6	15	50	6	•
XCE503080	8	20	60	8	•
XCE503100	10	25	70	10	•
XCE503120	12	30	75	12	•
XCE503160	16	40	90	16	•
XCE503200	20	45	100	20	•
XCE503250	25	50	120	25	•

※ Flat shank is available upon request  
ex) XCE503100F : Flat shank

■ Tolerance

Mill Dia. (mm)	Shank Dia.
0 ~ -0.02	h6

※ Items can be changed for quality improvement without notice.



### 3 FLUTE, REGULAR LENGTH

- High precision and excellent surface due to each 4F broken index geometry
  - The unique patented design decrease chatter and resonance, can achieve an Axial Depth 1XD
  - Reinforced bending moment because of double core geometry
- \* corner chamfer type

## XCC503 ...series



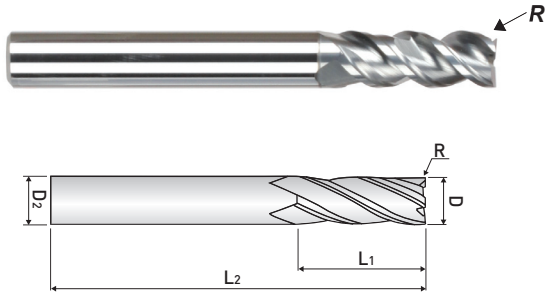
EDP. No.	D	C	L <sub>1</sub>	L <sub>2</sub>	D <sub>2</sub>	STOCK
XCC503020	2	0.025	6	50	6	•
XCC503025	2.5	0.025	8	50	6	•
XCC503030	3	0.035	10	50	6	•
XCC503035	3.5	0.035	10	50	6	•
XCC503040	4	0.045	12	50	6	•
XCC503045	4.5	0.045	14	50	6	•
XCC503050	5	0.055	15	50	6	•
XCC503055	5.5	0.055	15	50	6	•
XCC503060	6	0.075	15	50	6	•
XCC503080	8	0.1	20	60	8	•
XCC503100	10	0.125	25	70	10	•
XCC503120	12	0.150	30	75	12	•
XCC503160	16	0.200	40	90	16	•
XCC503200	20	0.250	45	100	20	•
XCC503250	25	0.300	50	120	25	•

※ Flat shank is available upon request  
ex) XCC503100F : Flat shank

■ Tolerance

Mill Dia. (mm)	Shank Dia.
0 ~ -0.02	h6

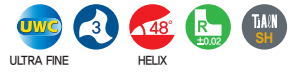
※Items can be changed for quality improvement without notice.



### 3 FLUTE, REGULAR LENGTH

- High precision and excellent surface due to each 4F broken index geometry
- The unique patented design decrease chatter and resonance, can achieve an Axial Depth 1XD
- Reinforced bending moment because of double core geometry

## XCR503 ...series



EDP. No.	D	R	L <sub>1</sub>	L <sub>2</sub>	D <sub>2</sub>	STOCK
XCR5030502	5	0.2	15	50	6	•
XCR5030602	6	0.2	15	50	6	•
XCR5030605		0.5				•
XCR5030610		1				•
XCR5030805	8	0.5	20	60	8	•
XCR5030810		1				•
XCR5031005	10	0.5	25	70	10	•
XCR5031010		1				•
XCR5031205	12	0.5	30	75	12	•
XCR5031210		1				•
XCR5031605	16	0.5	40	90	16	•
XCR5031610		1				•
XCR5032005	20	0.5	45	100	20	•
XCR5032010		1				•
XCR5032505	25	0.5	50	120	25	•
XCR5032510		1				•

※ Flat shank is available upon request  
ex) XCR5031010F : Flat shank

■ Tolerance

Mill Dia. (mm)	Shank Dia.
0 ~ -0.02	h6

※ Items can be changed for quality improvement without notice.